

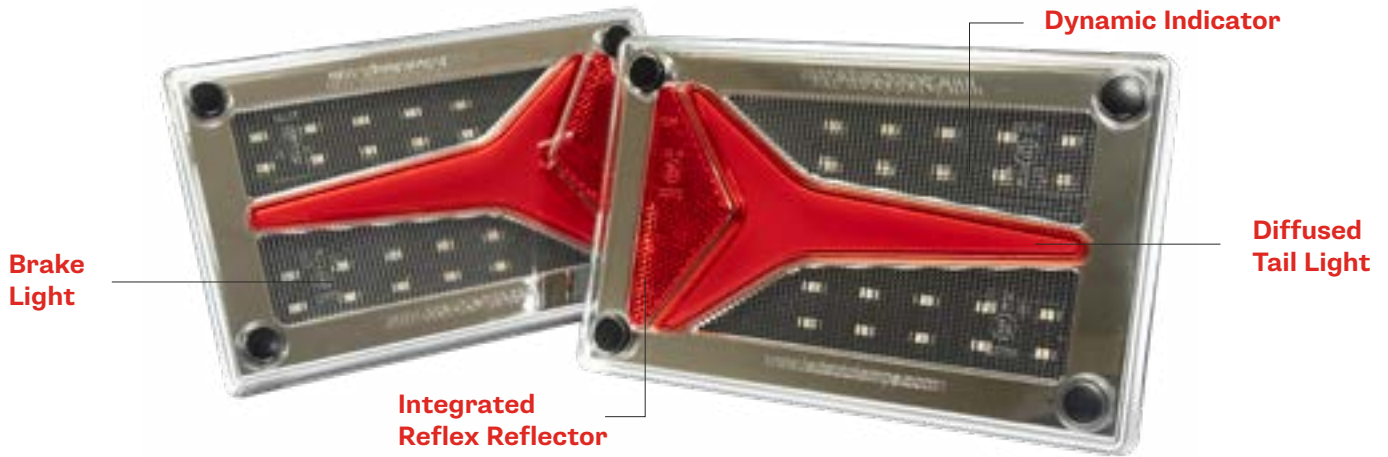


595 SERIES COMPACT COMBINATION LAMP

With Dynamic Indicator and Diffused Tail Light

- 12/24V multivolt
- Progressive indicator sequence
- Diffused tail light
- Black-chrome housing

- Fully ECE approved
- IP67 - fully waterproof
- 5 year warranty
- Highly efficient LED technology



12/24V
DUAL
VOLTAGE

IP67
100%
WATERPROOF

5
FIVE YEAR
WARRANTY

R3
ECE
APPROVED

R6
ECE
APPROVED

R7
ECE
APPROVED

R10
ECE
APPROVED



PROGRESSIVE INDICATOR SEQUENCE

DIFFUSED TAIL

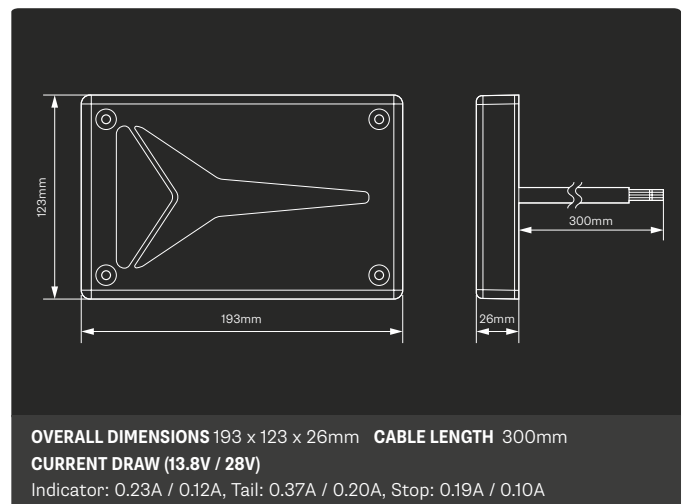
Compact Combination Lamp STOP / TAIL / INDICATOR / REFLECTOR



595STIML Left

595STIMR Right

595STIMLR2 Twin Pack



- Exclusive LED Autolamps design
- Shock and vibration tested